



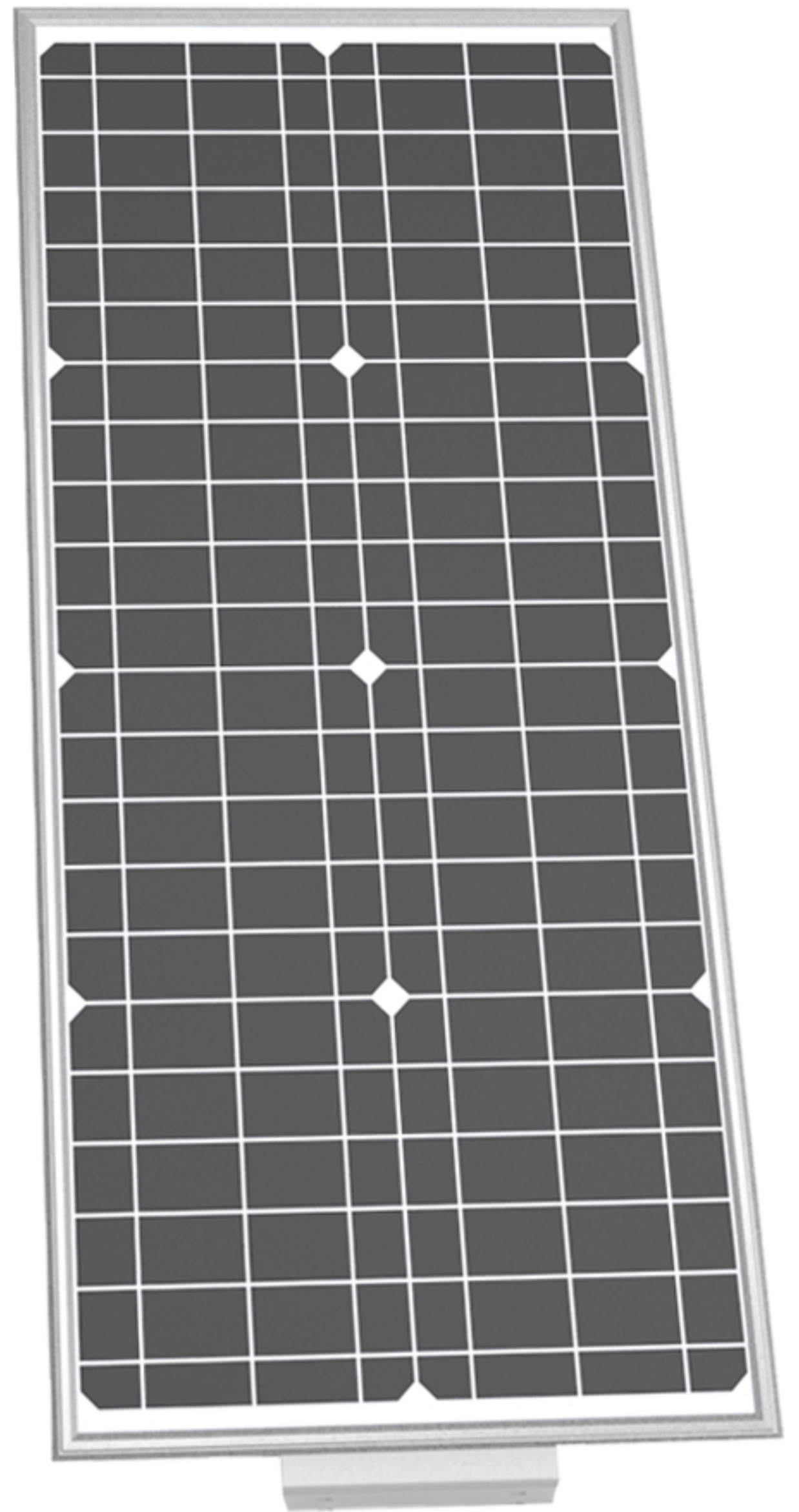
# INTEGRATED SOLAR LED STREET LIGHT



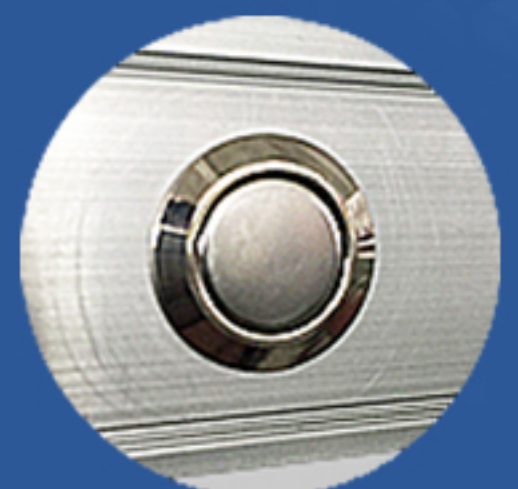
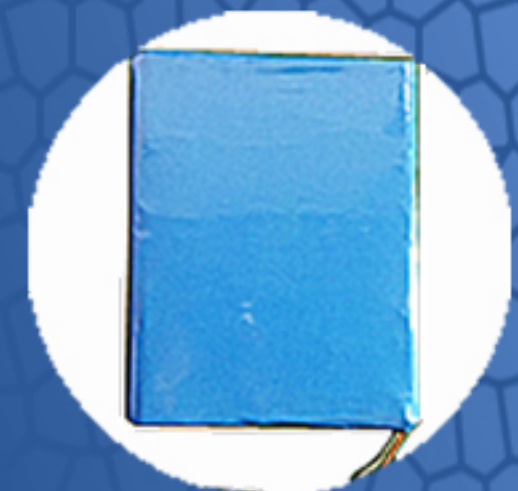
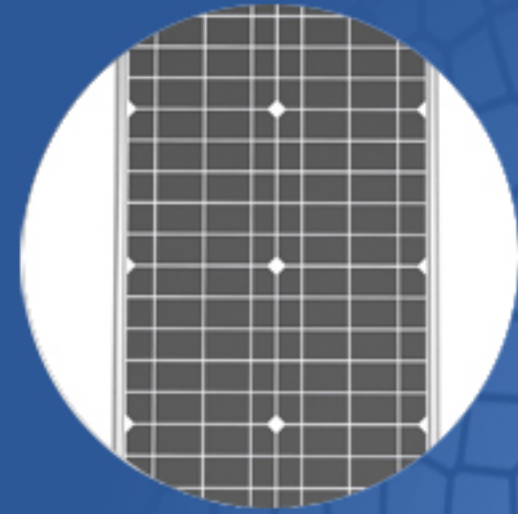
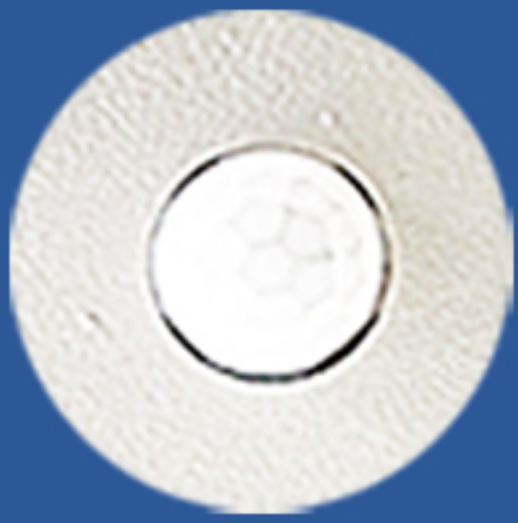
# Main Feature:

- Consisting of solar battery, solar controller and LED light.
- Large capacity battery, standby time is longer.
- Wide range of application.
- Without memory effect, used at anytime.
- High luminous flux 140-150lm/W.
- PWM/MPPT charging.
- Environmentally friendly products, no pollution, safe to use.

:







- High-quality light and human induction, more sensitive.
- Monocrystalline solar panels, High and stable photoelectric conversion efficiency. Advanced diffuse technology, which can ensure the uniformity of conversion efficiency.
- Superior controller, with overheat protection and output short circuit protection
- LiFePO4 battery, has a good safety performance, high capacity, long life, high current and high-rate discharge performance and stability advantages.
- Unique-designed lens, High Luminous and light transmittance
- Metal switch, IP67 level more durable





## Operation mode



During the day,  
the light is dormant  
and the battery  
is being charged.



At night, the light will  
be running and lighting  
at the adjustable power  
of 0-100%.



When somebody enters  
the effective range,  
the light will be lighting  
at full power.

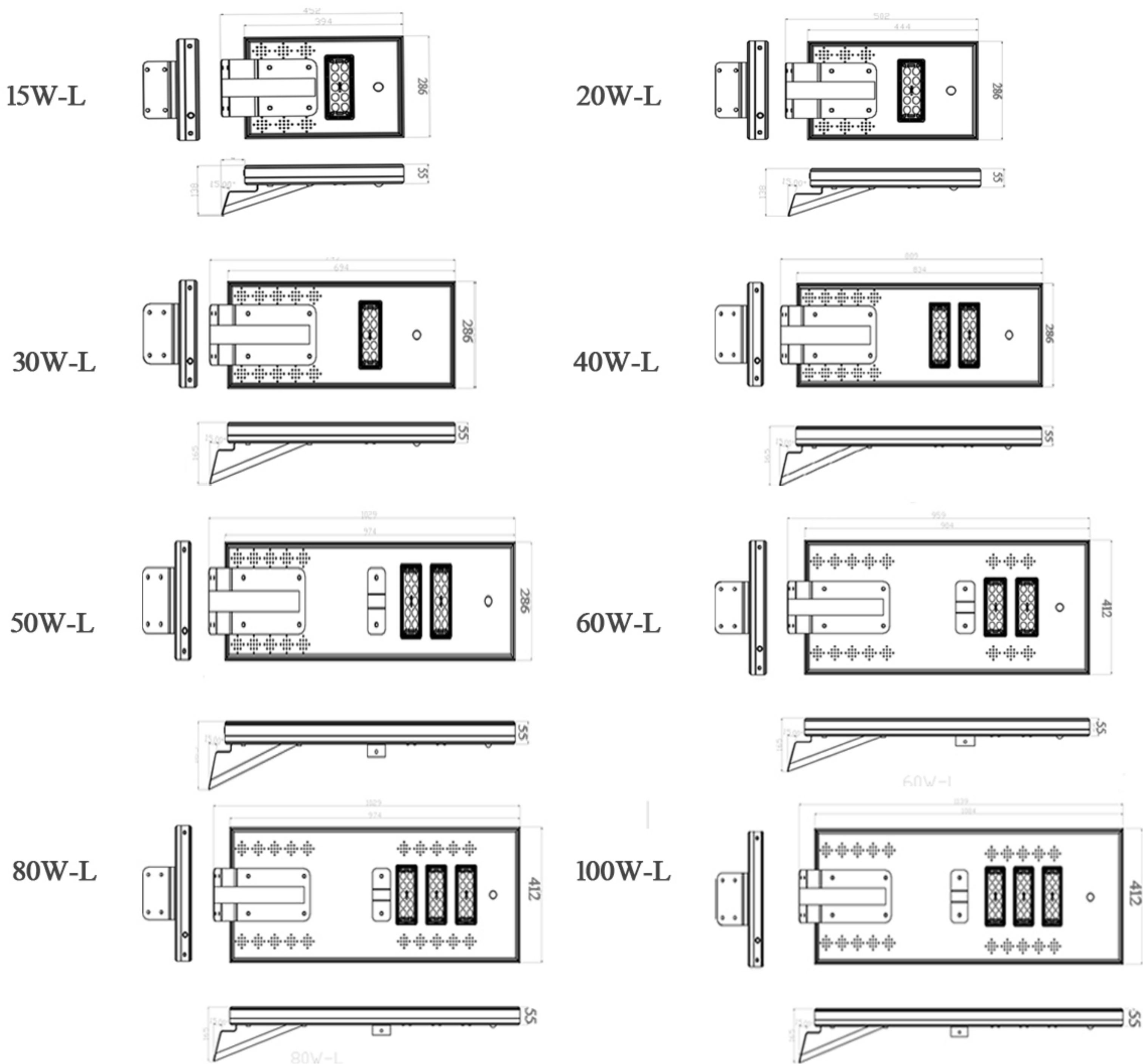
- Without wires
- Without distribution box
- Installation is simple
- Energy efficiency  
and environmental protection





# Product Dimensions

## Economical collocation:

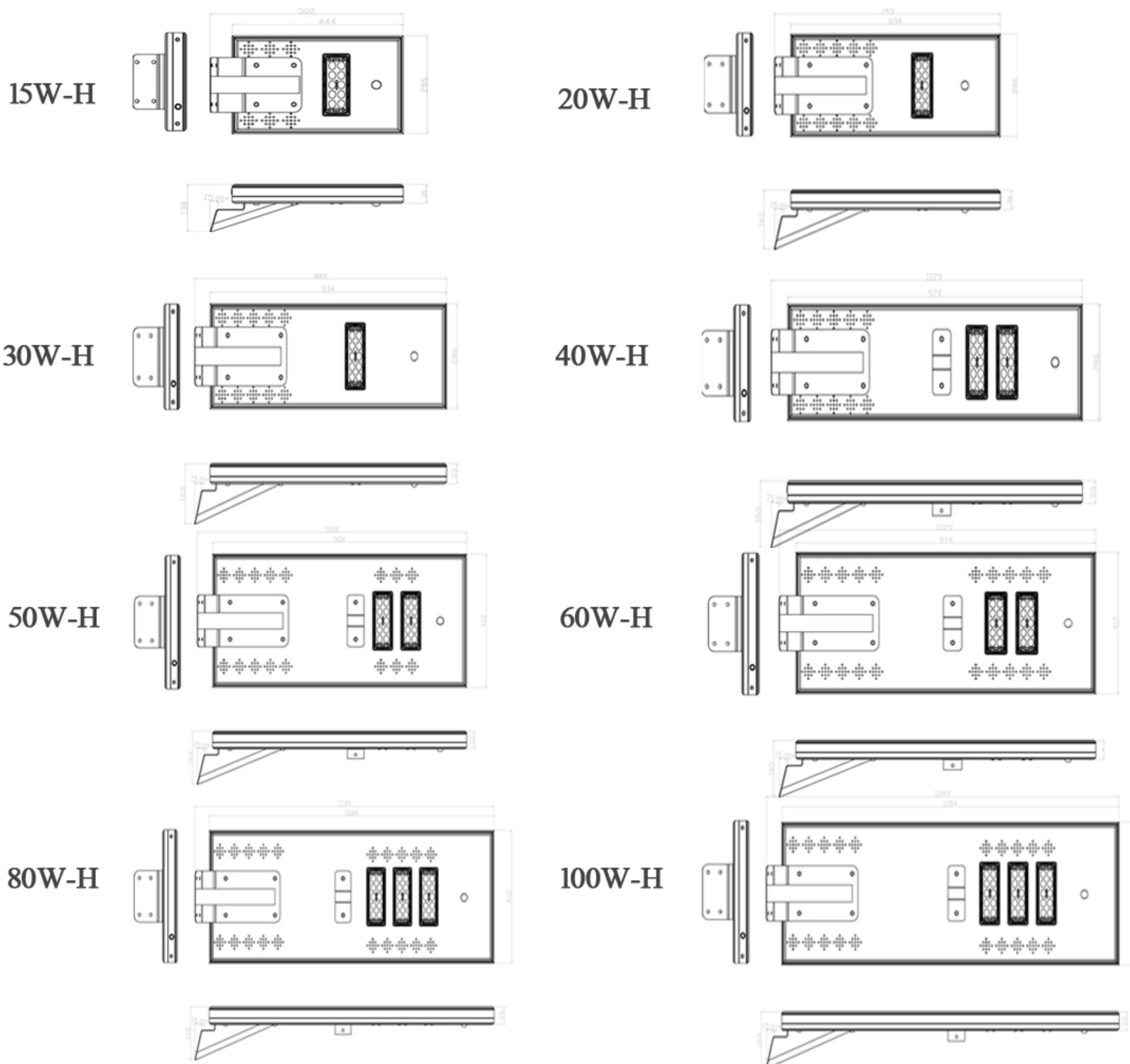


Item	Power	Installation Height	Distance	NW/kg	GW/kg	Size	Package Size
SSH04015-L	15W	3-4m	8-12m	5.6	6.7	452*286*138mm	490*350*170mm
SSH04020-L	20w	3-5m	9-15m	6.2	7.3	502*286*138mm	540*350*170mm
SSH04030-L	30w	4-6m	10-18m	8.5	10.2	749*286*165mm	790*350*200mm
SSH04040-L	40w	4-7m	12-20m	9.5	11.2	889*286*165mm	930*350*200mm
SSH04050-L	50w	5-8m	20-25m	13.8	16.2	1029*286*165mm	1070*350*200mm
SSH04060-L	60w	5-8m	20-25m	14.9	17.5	959*412*165mm	1000*475*200mm
SSH04080-L	80w	6-9m	25-32m	17.4	20.5	1029*412*165mm	1070*475*200mm
SSH040100-L	100w	7-10m	25-34m	20.3	23.8	1144*412*186mm	1180*475*220mm



# Product Dimensions

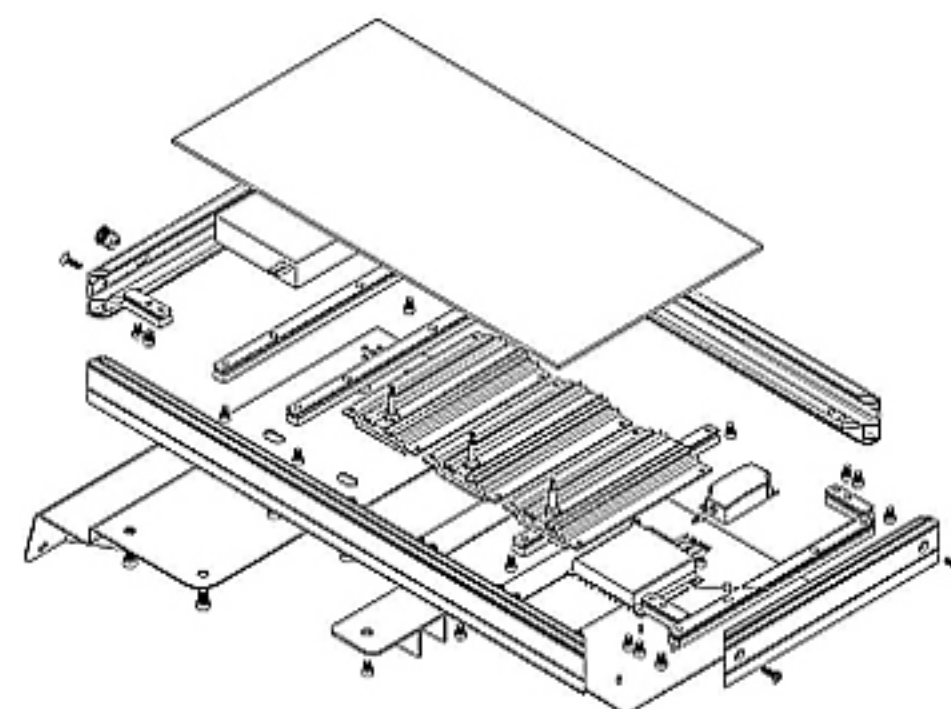
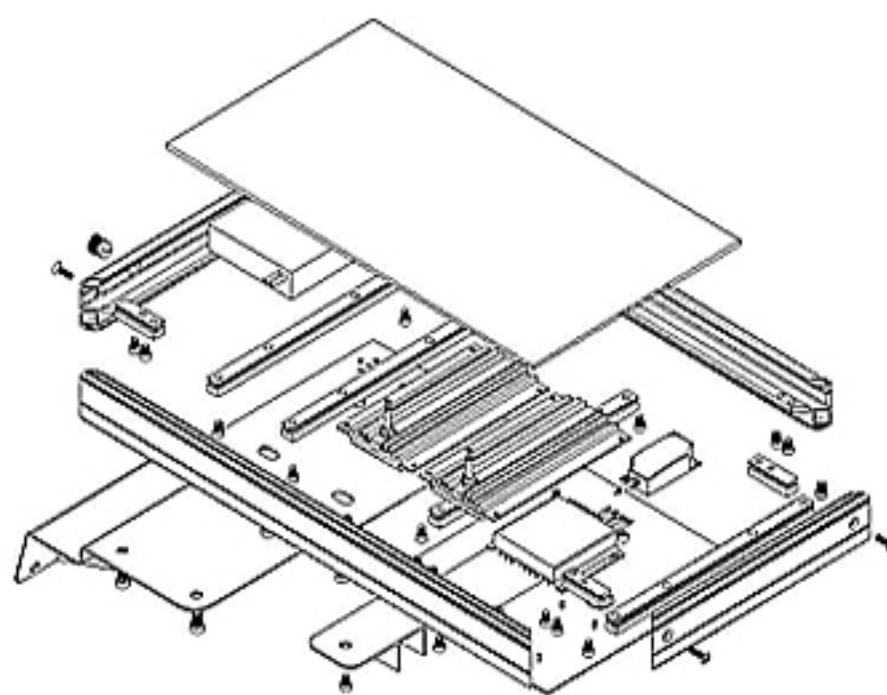
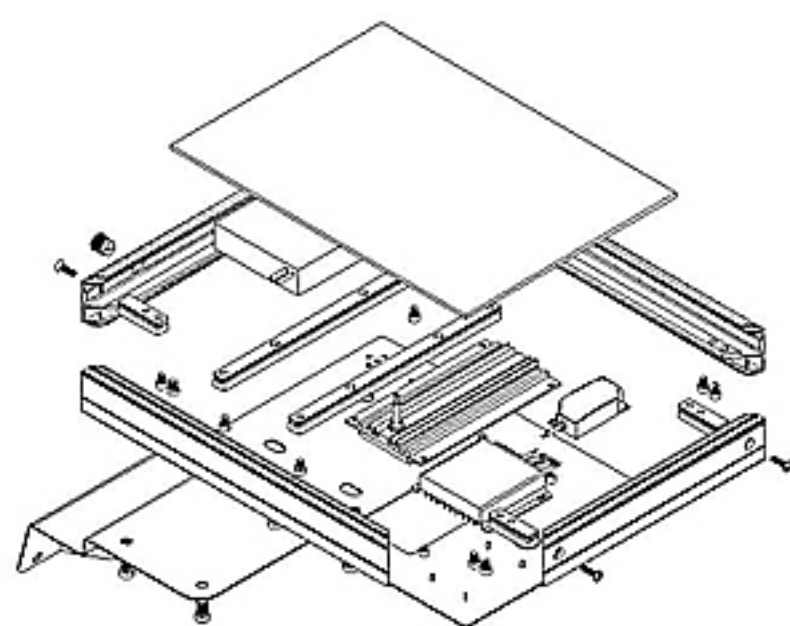
## High collocation:



Item	Power	Installation	Distance	NW/kg	GW/kg	Size	Package Size
SSH04015-H	15W	3-4m	8-12m	6.0	7.1	502*286*138mm	540*350*170mm
SSH04020-H	20w	3-5m	9-15m	8.0	9.0	749*286*165mm	790*350*200mm
SSH04030-H	30w	4-7m	10-18m	9.6	11.2	889*286*165mm	930*350*200mm
SSH04040-H	40w	4-7m	12-20m	13.8	16.0	1029*286*165mm	1070*350*200mm
SSH04050-H	50w	5-8m	20-25m	14.6	17.2	959*412*165mm	1000*475*200mm
SSH04060-H	60w	6-9m	20-25m	17.0	20.0	1029*412*165mm	1070*475*200mm
SSH04080-H	80w	7-10m	25-32m	20.1	23.7	1144*412*186mm	1180*475*220mm
SSH040100-H	100w	8-12m	25-34m	23.5	27.5	1354*412*186mm	1390*475*220mm



## Break Up The Figure



## Specification

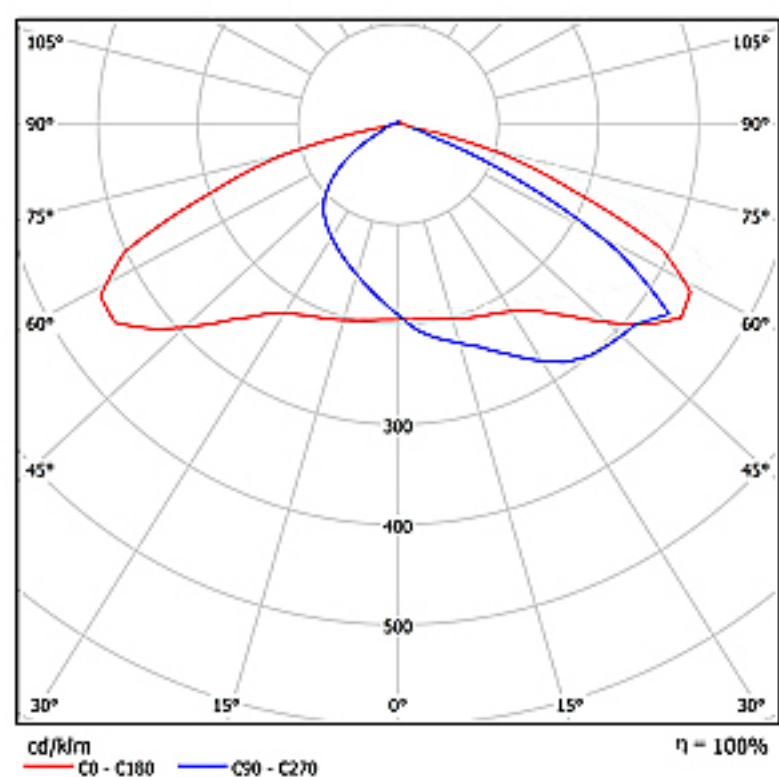
Product Type	LED street light
LED Brand	Lumileds LUXEON
Light Distribution	Type II Medium
Lamp Frame Color	Silver/White
Light Color	2200K-6500K
Lamp Frame Material	Aluminum Alloy
Battery Type	Lithium iron phosphate battery 12V

## Technical Parameters

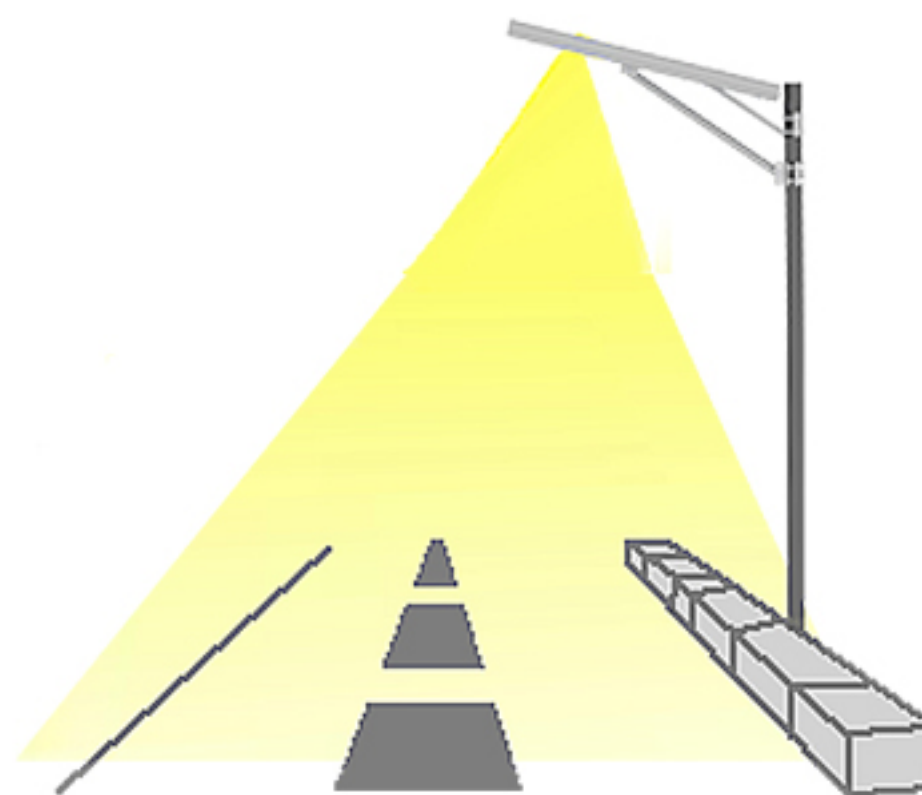
Input Voltage	DC 12V
CRI	>75
Junction Temperature	<70
Protection grade	IP65, IK09
LED luminous flux	140-150lm/W
LED brand life	50000 hours
Battery life	5-8 years
Charge time	PWM/MPPT charging, valid for 6 hours of sunshine
Discharge time	Half power 40 hours, full power 20 hours
Lighting time	12 hours everyday, 4-7 raining day
Solar panels life	25 years
Warranty	5 years
Work environment temperature	-40°C~+60°C



# Distribution Curves

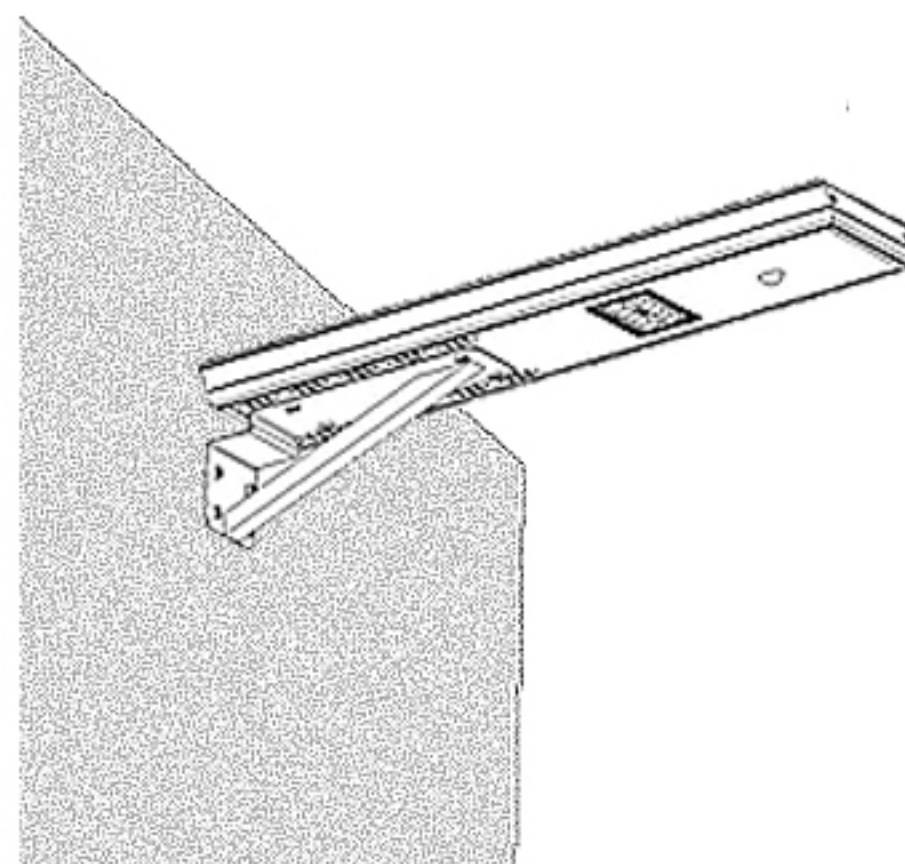
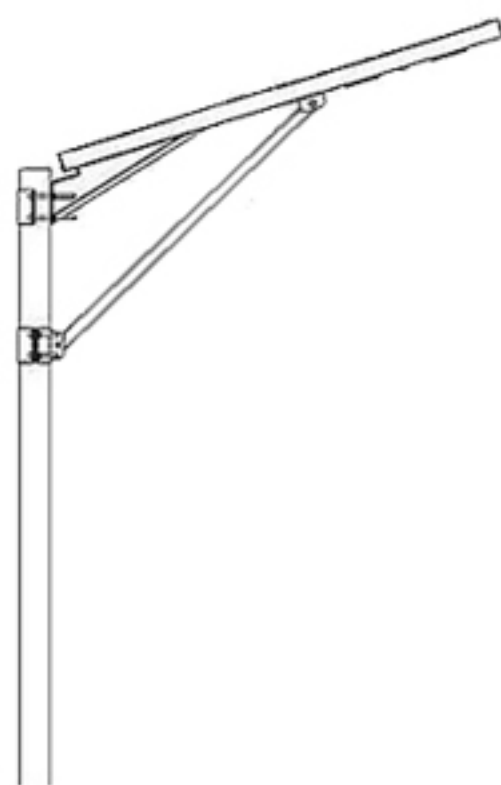
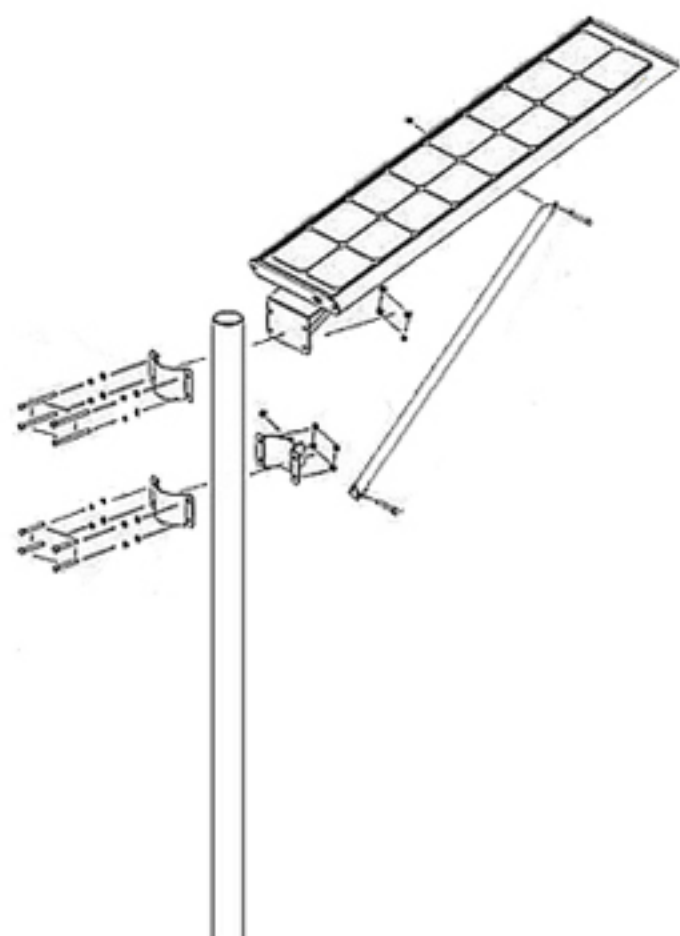


Type II Medium

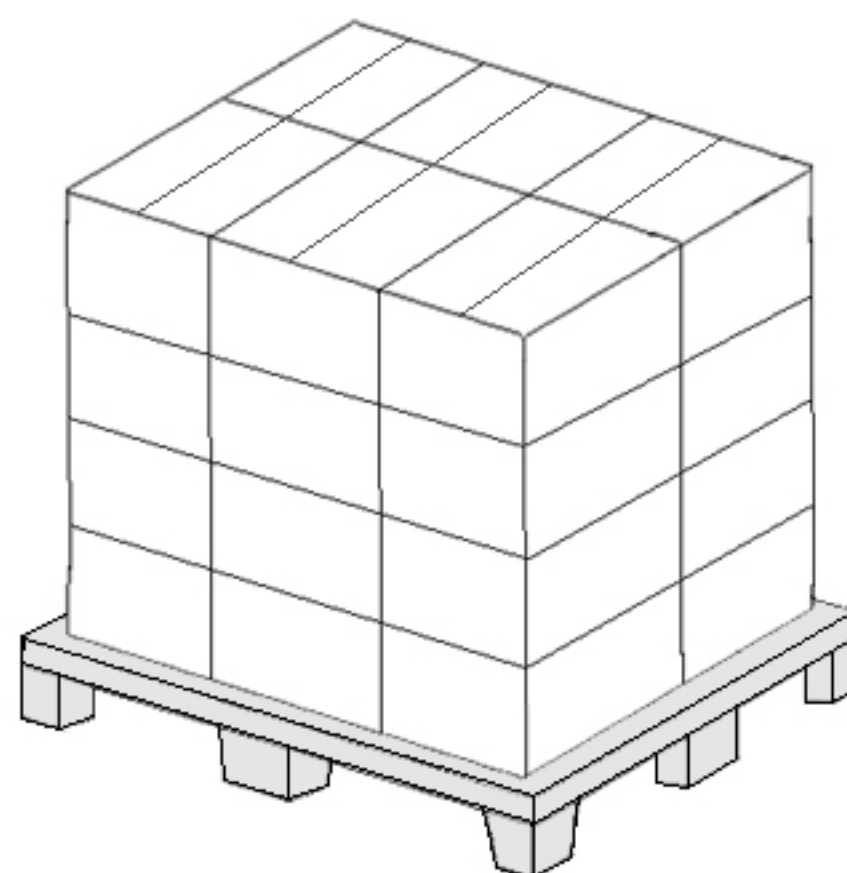
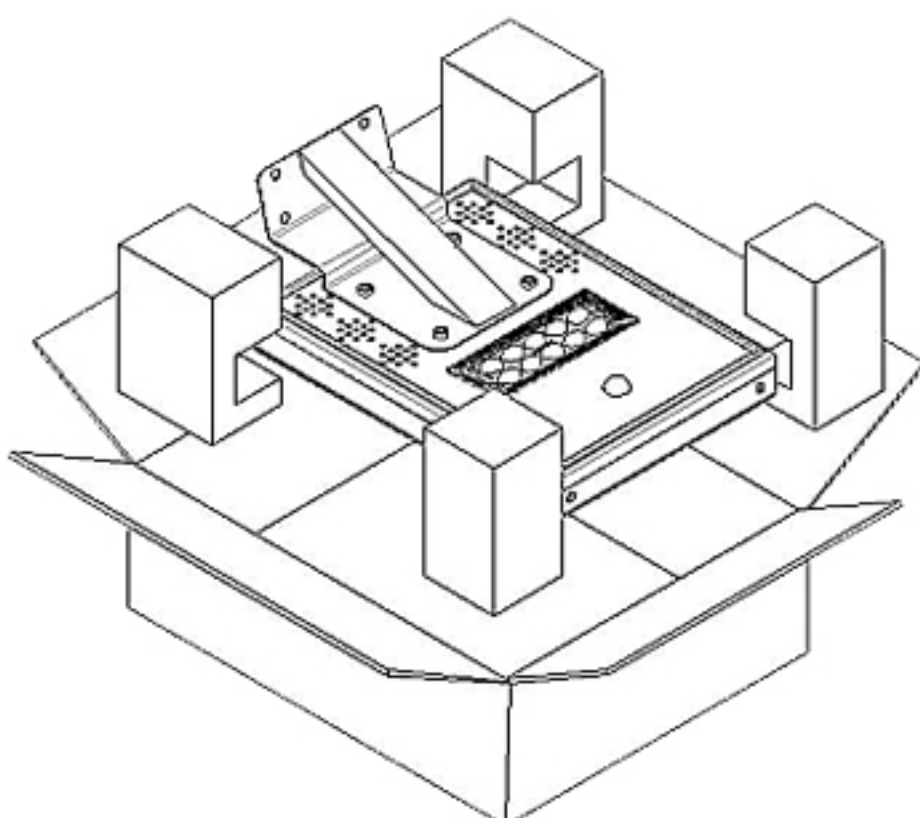


## Installation & Packaging

1. Install as per below pictures.
2. Use screws and hoop to fix the solar street light to the pole.



3. Multiple protection to protect the light perfectly





# Practical Application

